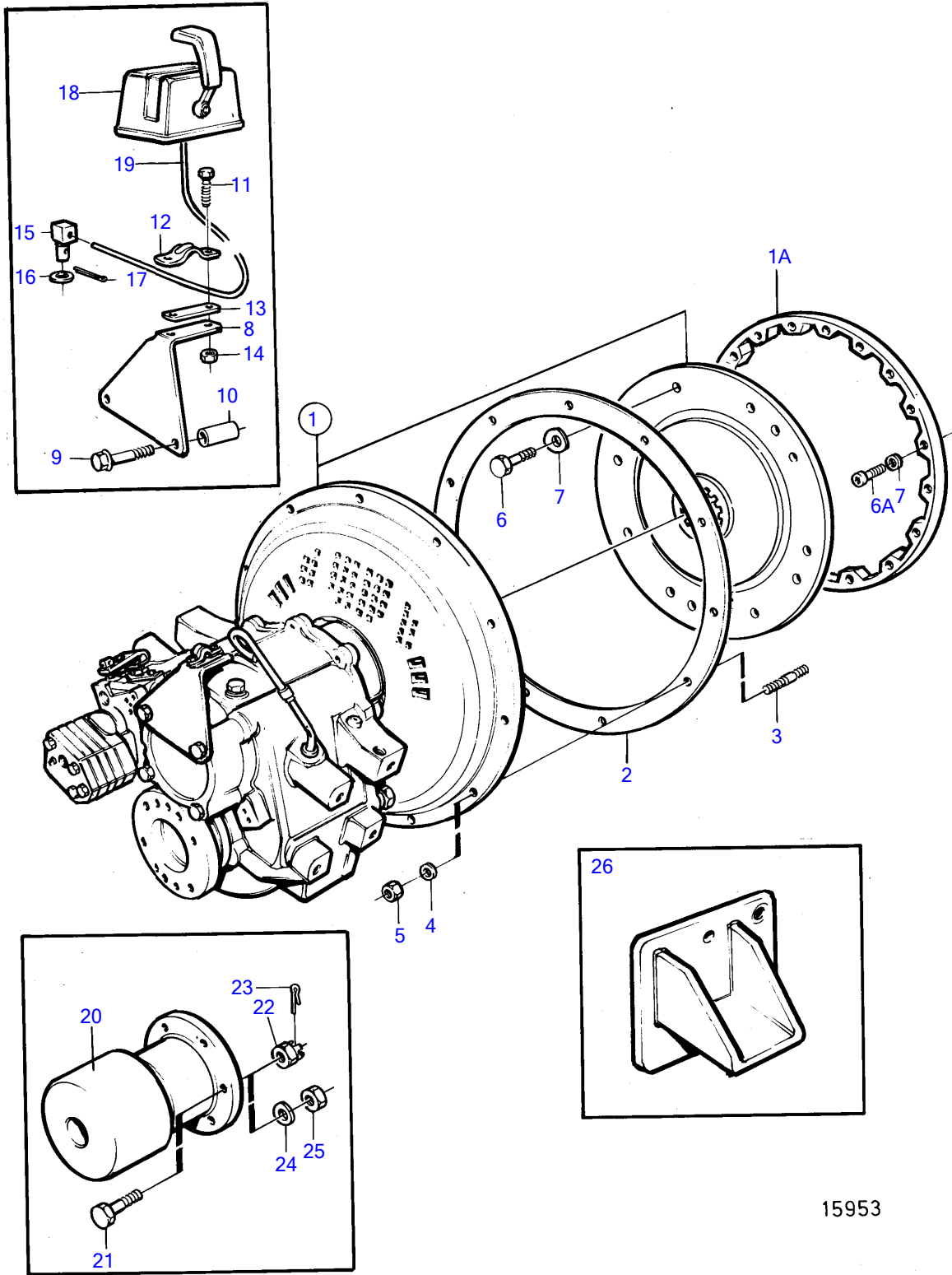


TAMD71B



15953

TAMD71B

REF	PART NO.	QTY	DESCRIPTION	NOTES
1		1	Reversing gear • parts not sold separately	Ratio -3.01:1
1A		1	Drive ring • parts not sold separately	Early type
2	862623	1	Gasket	
3	953486	12	Stud	
4	942336	12	Spring washer	
5	955827	12	Hexagon nut	
6	956582	8	Hex. socket screw	
6A	940114	8	Hexagon screw	(956588)
7	942336	8	Spring washer	(942598)
8	864242	1	Bracket	
9	955570	2	Hexagon screw	L=89mm
10	830672	2	Spacer sleeve	Late type
11	956079	2	Cross recessed screw	
12	21471054	1	Bracket	For control cable 333, 33C.
	6853782	1	Cable clamp	For control cable 443, 43C.
13	819068	1	Washer	
14	963104	2	Lock nut	
15	853217	1	Cube	
16	940191	1	Washer	
17	17253	1	Split pin	
18		X	Control	See group 27
19		X	Control cable	See group 27
20	842106	1	Companion flange	
21	955738	6	Hexagon screw	Early type, L=57mm
	955739	6	Hexagon screw	Late type, L=64mm
22	955886	6	Castle nut	Early type
23	907861	6	Split pin	Early type
24	941912	6	Spring washer	Late type
25	950378	6	Lock nut	Late type
26		2	Engine suspension	See group 21